

TRUCK-MOUNTED CONCRETE PUMP SYG5450THB 560C-10(SZ-EU)



Energy-saving

- Pump efficiency is increased up to 25% while fuel consumption is decreased by up to 10%.



Safety

- Our truck mounted concrete pump exemplifies Sany's precise, rigorous manufacturing philosophy and uncompromising focus on safety.



Highly Wear Resistant Parts

- The highly wear resistant parts improve efficiency and reduce down time.



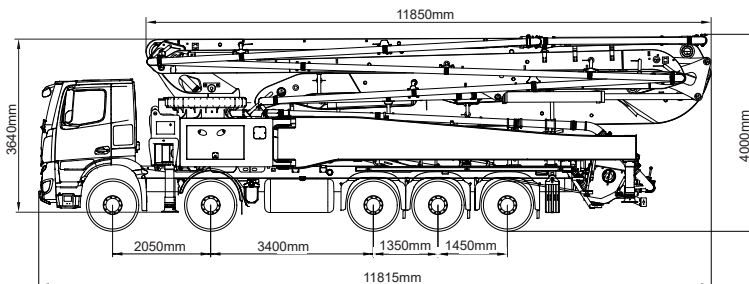
Self-diagnosis Technology

- Continually monitors more than 200 aspects of the system during operation. Faults are displayed on the monitor. Review of the detected faults can reduce troubleshooting time by 70%.

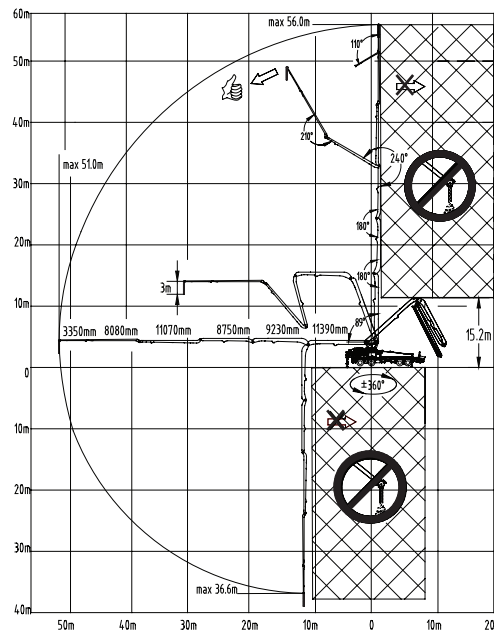
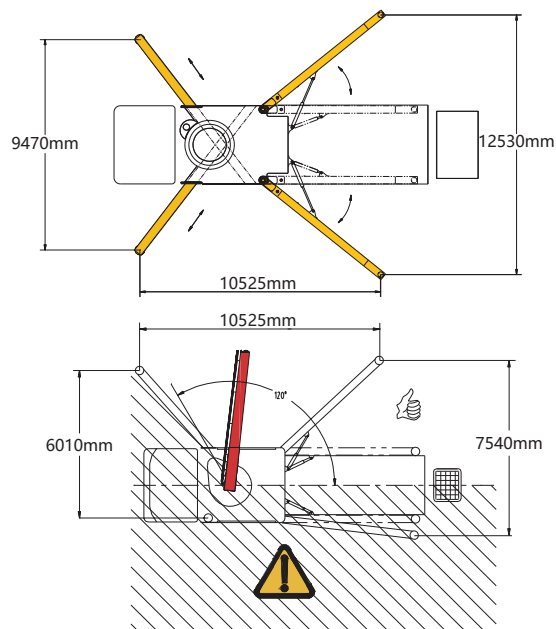


TECHNICAL SPECIFICATION

Model		Unit	SYG5450THB 560C-10(SZ-EU)	
X-unit Spe.	Length	mm	12050	
	Width	mm	2550	
	Height	mm	3750	
	Dead weight	kg	32500	
Boom & Outrigger Specification	Vertical reach	m	56	
	Horizontal reach	m	51	
	Reach depth	m	36.6	
	Unfolded reach	m	15.2	
	1st Section	Length	mm	11390
		Articulation		89°
	2nd Section	Length	mm	9230
		Articulation		180°
	3rd Section	Length	mm	8750
		Articulation		180°
	4th Section	Length	mm	11070
		Articulation		240°
	5th Section	Length	mm	8080
Articulation			210°	
6th Section	Length	mm	3350	
	Articulation		110°	
Rotation			±360°	
Front outrigger spread L-R	mm		9470	
Rear outrigger spread L-R	mm		12530	
Pumping System Specification	Output	Low-pressure	m ³ /h	180
		High-pressure	m ³ /h	/
	Pressure	Low-pressure	MPa	8.5
		High-pressure	MPa	/
	Max. strokes per minute	Low-pressure	times/min	30
		High-pressure	times/min	/
	Delivery cylinder diameter	mm		260
	Stroke length	mm		1900
	Hydraulic system			Open
	Hydraulic system oil pressure	MPa		32
Oil tank capacity	L		610	
Water tank capacity	L		600	
Pipeline size	mm		125	
End hose length	m		3	
End hose diameter	mm		125	
Chassis Specification	Chassis brand		/	
	Chassis model		/	
	Engine type		/	
	Engine maximum net power	kW/rpm		/
	Emission standard			/
	Capacity of fuel tank	L		/
	Displacement	L		/
Max. speed	km/h		/	



The External Dimension Diagram Based on 5 axles Volvo Chassis



www.sanyglobal.com

SANY Industrial Park, Economic and Technological Development Zone,
Changsha, Hunan, China, 410100
Sales Hotline
Tel: 0086-731-85835199
Mail: sales@sanyglobal.com

Service Hotline
Tel: 0086-4006098318
Mail: CRD@sany.com.cn

The product configuration (including technical parameters) is subject to change and the delivered actual machine without notice.